

EZ-TAG 2



USER MANUAL



www.espuk.com

Contents



EZ-TAG2
and Back Plate



1 x Security Torx Key
4 x Screws and raw plugs
1 x Marking out template



10 x Tags

Equipment required for controlling one door:-

12 volt DC power supply 2 amp minimum (EV-BPS)

Lock - Magnetic (EVML-250)/Yale type keep 12 volt lock (enter D)

Push to exit button (EVEXIT)

Green break glass emergency release (EVEBG)

Note:- for use with Magnetic lock only

Functions of the EZ-TAG2

The EZ-TAG2 can control up to two doors by use of Tags or pin numbers

Selectable Pin number length 2, 3, 4, 5 and 6 digits (per zone).

Programmable door open time 00 to 99 seconds.

Two locations (zone 1, zone 2) are available for programming Tags and Pin numbers.

1000 Tags or Pins can be programmed for zone 1.

10 Tags or Pins can be programmed for zone 2.

Two volt free change over relays one per door.

Door closed function (contact required).

2 push to exit button inputs, one per zone.

Programmable volt free change over relay for door bell function.

Programmable rear tamper.

Internal buzzer for tamper monitoring (automatic cut off after 1 minute).

Sighting Of The EZ-TAG2

The EZ-TAG2 must not be located within 2 meters of any reader/keypad type devices.

The EZ-TAG2 must not be sited back to back with other reader/keypad type devices.

Site the EZ-TAG2 within easy access to the door/doors to be controlled

Recommended mounting height 1.2m.

Fitting

Using the template mark and drill the fixing and cable entry holes.

Remove security screw from the underside of the keypad/reader and remove back plate.

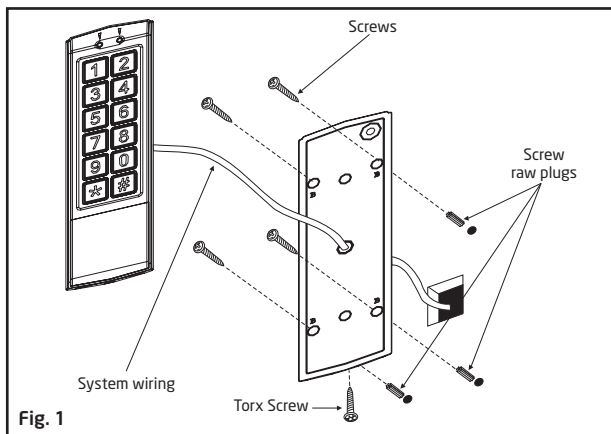
Fit and secure the back plate in its final position. (See Fig. 1)

Feed the cable from the keypad/reader through the centre hole of the back plate.

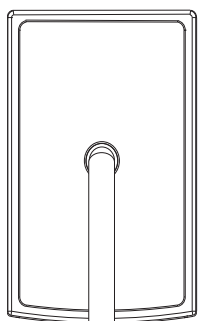
Clip the top of keypad/reader onto the back plate and secure using the security fixing screw located on the underside of the keypad/reader.

Make all wiring connections and connect 12 volts DC to the keypad/reader.

The green power LED will now be illuminated on the front of the keypad/reader.



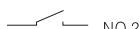
Wiring Diagram and connections



Red-power } DC input: $\pm 12V - +24V$
 Black-power } AC input: $\sim 12V - 24V$
 Brown-door status detecting
 Orange-push to exit button 1
 Yellow-push to exit button 2
 Green-GND
 Blue-NO 2
 Purple-COM 2
 Gray-NC 2
 White-NO 1
 Pink-COM 1
 Aqua-NC 1
 Black+white-485-
 Brown+white-485+
 Shielded ground



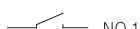
NC 2



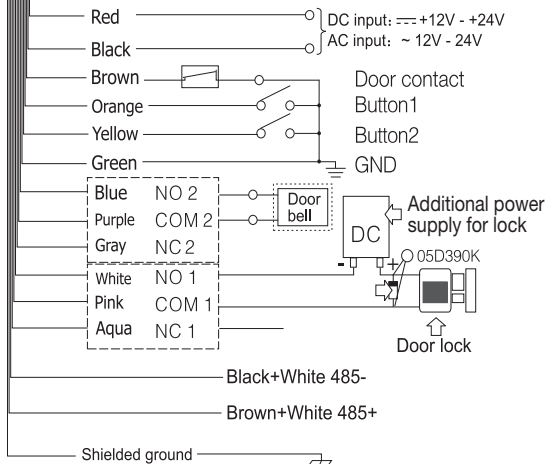
NO 2



NC 1



NO 1



Brief details of programming

Access of programming mode.

Selecting the length of the pin number to be used 2,3,4,5 and 6 digits.

There are two locations for entering pin or Tags (zone 1 and zone 2) .

Zone 1 has 1000 locations available 000-999.

Zone 2 has 10 locations available 00-09.

Programme pin numbers and tags.

Select the lock release time (00-99 seconds)

How to escape programming mode.

Note:- if no keys are press within 30 seconds the unit will drop out of programming mode.

How to enter and exit programme mode

To enter programme mode enter the 4 digit pin number twice (default pin 1234).

To exit programme mode press the # key.

How to set the length of the pin numbers to be used

Enter programming mode by entering the 4 digit pin number twice (default pin 1234).

A Long bleep will be heard and the green power LED will turn orange.

Press the * key followed by 9 key the orange LED will now flash.

Press 04 a long bleep will be heard.

Enter the length of the pin number you require (2,3,4,5 or 6).

If the length is the same as already programmed you will get a conformation bleep.

If you have changed the length you will get 7 bleeps to say it has now been changed.

Note:- Any pin numbers or Tags programmed into the system will be deleted if the pin length is change.

Zone 1 programming

Programming a User Pin number to Zone 1

Note:- Zone 1 has 1000 locations available from 000 to 999.

Enter programming mode

A Long bleep will be heard and the green power LED will turn orange.

Enter the vacant location you want to programme the pin number in using a 3 digit format (xxx).

The green programming LED (top left of keypad) will illuminate.

Note:- if this location already has a pin number or Tag programmed the LED will turn red.

*To delete this location press the star * key twice. The LED will now turn green.*

Enter the pin number required, a conformation bleep will be heard.

If further pin numbers are to be programmed select the next available location number (xxx).

Programming one Tag to Zone 1

Note:- Do not have Tags in your hand or close by when pressing keys.

Zone 1 has 1000 locations available from 000 to 999.

Enter programming mode


A Long bleep will be heard and the green power LED will turn orange.

Enter the location you want to programme the Tag to in a 3 digit format (xxx).

The green programming LED (top left of keypad) will illuminate.

Note :- if this location already has a pin number or Tag programmed the LED will turn red.

*To delete this location press the star * key twice. The LED will now turn green.*

Pick up one Tag only and present it to the bottom of the reader (EZ-TAG ) and remove.

2 bleeps will be heard.

If further Tags are to be programmed select a the next available location number (xxx)

Programming a group of Tags to Zone 1

Note:- Do not have Tags in your hand or close by when pressing keys.

Zone 1 has 1000 locations available from 000 to 999.

Enter programming mode

All tags to be programmed as a group must have consecutive numbers.

A Long beep will be heard and the green power LED will turn orange.

Press the * key then the 9 key the power LED will start to flash

Press the 0 key then the 1 key the unit will beep once.

Enter the number of the first available location in the range of 000 to 999.

Now enter in a 3 digit format how many tags you want to programme (xxx) into the system, present the lowest number tag to the reader (EZ-TAG 2) and remove. Alternatively enter the 8 digit number of the lowest number Tag from the group to be programmed into the keypad.

To confirm the programming has been successful 2 beeps will be heard.

Setting the Unlock Time for Zone 1

Enter programming mode

A Long beep will be heard and the green power LED will turn orange.

Press the * key then the 1 key the orange LED will start to flash

Enter the time in seconds for the unlock time from 00 to 99 seconds.

Zone 2 programming

Programming A User Pin number to Zone 2

Note:- Zone 2 has 10 locations available 00-09.

Enter programming mode

A Long beep will be heard and the green power LED will turn orange.

Press the * key followed by the 4 key

The orange LED will start to flash

Enter the vacant location number you want to programme the pin number in to (xx).

The green programming LED (top left of keypad) will illuminate.

Note :- if this location already has a pin number or Tag programmed the LED will turn red.

*To delete this location press the star * key twice. The LED will now turn green.*

Enter the new pin number required, a conformation beep will be heard.

If further pin numbers are to be programmed select the next available location number (xx).

Programming one Tag to Zone 2

*Note:- Do not have Tags in your hand or close by when pressing keys.
Zone 2 has 10 locations available 00-09.*

Enter programming mode

A Long bleep will be heard and the green power LED will turn orange.

Press * key then 4 the orange LED will start to flash.

Enter the location you want to programme the first Tag in to (xx).

The green programming LED (top left of keypad) will illuminate.

Note:- if this location already has a pin number or Tag programmed the LED will turn red.

*To delete this location press the star * key twice. The LED will now turn green.*

Pick up one Tag only and present to the bottom of the reader (EZ-TAG 2) and remove.

2 bleeps will be heard.

If further Tags are to be programmed select a the next available location number (xx).

Setting the Unlock Time for Zone 2

Enter programming mode.

A Long bleep will be heard and the green power LED will turn orange.

Press the * key then the 5 key the power LED will start to flash.

Enter the time in seconds for the unlock time from 00 to 99 seconds.

How to Change the Programming Pin Number

Enter programming mode.

A Long bleep will be heard and the green power LED will turn orange.

Press * key followed by the 3 key the orange LED will start to flash.

Enter the new programming pin twice.

A conformation bleep will be heard.

How to delete all pin numbers and Tag data

Enter programming mode.

A Long bleep will be heard and the green power LED will turn orange.

Press * key followed by the 8 key the orange LED will start to flash.

Press the 8 key twice.

7 conformation bleeps will sound.

How to load factory default settings

Enter programming mode.

A Long bleep will be heard and the green power LED will turn orange.

Press the * key followed by the 8 key the orange LED will start to flash.

Press the 9 key twice.

One bleep will sound and the System will automatically come out of programming mode.

How to Disable the rear tamper

Enter programming mode.

A Long bleep will be heard and the green power LED will turn orange.

Press the * key followed by the 6 key the orange LED will start to flash.

Press the 0 key followed by the 1 key.

The rear tamer is now off.

How to Enable the rear tamper

Enter programming mode.

A Long bleep will be heard and the green power LED will turn orange.

Press the * key followed by the 6 key the orange LED will start to flash.

Press the 0 key followed by the 2 key.

The rear tamer is now on.

How to Enable the door Bell function

Note:- If two doors are being controlled the bell function can not be used.

Enter programming mode.

A Long bleep will be heard and the green power LED will turn orange.

Press the * key followed by the 2 key the orange LED will start to flash.

Press the 0 key followed by the 2 key.

The door bell function is now on.

How to Disable the door Bell function

Enter programming mode.

A Long bleep will be heard and the green power LED will turn orange.

Press the * key followed by the 2 key the orange LED will start to flash.

Press the 0 key followed by the 1 key.

The door bell function is now off.

How to reset a lost programming pin number

Note:- this will set the programming Pin back to its default factory setting of 1234 and leave all other settings intact.

Remove power to the keypad/reader for 10 seconds.

Apply power and press the # key within 3 seconds

Technical Specification

DC input	12 - 24volts
AC input	12 - 24volts
Standby current	80ma
Operating current (without lock)	110ma
Working temperature	-20c to +50c
Reader frequency	125Hz
Tag reading distance	5cm
IP rating	65
Dimension	152 x 45 x 25mm

Technical Support 01527 515145

Elite Security Products
Unit 7, Target Park, Shawbank Rd
Lakeside, Redditch B98 8YN



Telephone: 01527 515150
Technical Support: 01527 515145
email: info@espuk.com